

**SKMM LTS ADSL
Rev. 1.01:2007**

TECHNICAL SPECIFICATION FOR ASYMMETRIC DIGITAL SUBSCRIBER LINE (ADSL) TRANSCEIVERS



Suruhanjaya Komunikasi dan Multimedia Malaysia
Off Pesiaran Multimedia, 63000 Cyberjaya, Selangor Darul Ehsan, Malaysia

© Copyright of SKMM, 2007

FOREWORD

This Technical Specification was developed under the authority of the Malaysian Communications and Multimedia Commission (SKMM) under the Communications and Multimedia Act 1998 (CMA 98) and the relevant provisions on technical regulation of Part VII of the CMA 98. It is based on recognised International Standards documents.

This Technical Specification specifies the specification to conform for approval of telecommunications device.

NOTICE

This Specification is subject to review and revision

CONTENTS

	Page
Foreword.....	iv
1 Scope.....	1
2 Normative references	2
3 Abbreviations	3
4 General Application Reference Models.....	3
5 Requirements	6
5.1 General requirements.....	
5.1.1 Power supply requirements	6
5.1.2 Power supply cord and mains plug requirements	6
5.1.3 Marking requirements.....	7
5.2 Technical requirements	7
5.3 Interoperability Test Plan.....	7
5.4 Safety and health requirements	8
5.5. Electromagnetic compatibility (EMC) requirements	8
Section A Asymmetric Digital Subscriber Line (ADSL) Transceivers.....	9
Section B Splitterless Asymmetric Digital Subscriber Line (ADSL) Transceivers.....	13
Section C Asymmetric Digital Subscriber Line Transceivers 2 (ADSL2).....	16
Section D Splitterless Asymmetric Digital Subscriber Line Transceiver 2 (Splitterless ADSL2).....	20
Section E Asymmetric Digital Subscriber Line (ADSL) Transceivers – Extended Bandwidth (ADSL2+)	22
Section F ADSL Interoperability Test Plan (DSL Forum Technical Report TR-067)	25
Tables	
1 Premises Distribution Network Alternatives and Capabilities.....	6
2 Compliance Standard for ADSL Transceivers.....	7
3 ADSL Transceivers.....	9
4 Splitterless ADSL Transceivers	13
5 ADSL Transceivers 2.....	16

CONTENTS *(continued)*

	Page
6 Splitterless ADSL Transceivers 2.....	20
7 ADSL Transceivers – Extended Bandwidth	22
8 ADSL Interoperability Test Plan	25
 Figures	
1 Generic application reference model for remote deployment with splitter	4
2 Generic application reference model for splitterless remote deployment	4
3 Data service application model.....	5
4 Voice over data service application model	5
5 General reference model for interoperability.....	8

SKMM LTS ADSL
Rev. 1.01:2007

TECHNICAL SPECIFICATION FOR ASYMMETRIC DIGITAL SUBSCRIBER LINE (ADSL) TRANSCEIVERS

1. Scope

1.1 This Specification defines the physical layer characteristics of the Asymmetrical Digital Subscriber Line (ADSL) transceivers. The purpose of the specification is to ensure proper inter-working of ADSL transceivers at the customer end (ATU-R) and network operator end (ATU-C) in terms of interaction, electrical characteristics and ADSL interoperability. It defines a variety of frame bearers in connection with or without an underlying service. For example:

- a) ADSL transmission simultaneously on the same pair with voice band service; and
- b) ADSL transmission without any underlying service, optimized for deployment with ADSL over voice band service in the same binder cable.

1.2 ADSL Transceivers may be designed for multi-mode operation, supporting one or more of the following ADSL Transceivers standards:

- a) ADSL Transceivers (ITU-T Rec. G.992.1) outlined in Section A;
- b) Splitterless ADSL Transceivers (ITU-T Rec. G.992.2) outlined in Section B;
- c) ADSL2 Transceivers (ITU-T Rec. G.992.3) outlined in Section C;
- d) Splitterless ADSL2 Transceivers (ITU-T Rec. G.992.4) outlined in Section D;
- e) ADSL2+ Transceivers – Extended Bandwidth (ITU-T Rec. G.992.5) outlined in Section E; and
- f) ADSL Interoperability Test Plan (DSL Forum Technical Report TR-067) Section F.

1.3 ADSL Transceivers, supporting the ADSL2, Splitterless ADSL2 or ADSL2+ standards shall be backward compatible and capable of interacting with network equipment which supports only the ADSL and Splitterless ADSL standards.

1.4 The ADSL interoperability test plan facilitates ADSL over POTS and ISDN CPE/DSLAM interoperability testing. This test plan embodies operators' definitions of ADSL interoperability (between one DSLAM and one CPE at a time). The test plan focuses on physical layer testing, and also validation and verification of selected higher layer functionality. The test plan defines dynamic interoperability (performance) as expected by leading carriers, specifying simulated network conditions under which interoperability is required. The performance points in this test plan are based on ATU-C equipment, capable of providing the maximum allowable power.

ATU-C equipment unable to provide this transmit power is considered to be out of the scope of this interoperability test plan.

This test plan defines tests for various physical layer functionalities and some higher layer functionalities.

2. Normative references

The following normative references are indispensable for the application of this Technical Specification. For dated references, only the edition cited applies. For undated references, the latest edition of the normative references (including any amendments) applies.

ITU-T Rec. G.992.1	<i>Asymmetric Digital Subscriber Line (ADSL) Transceivers</i>
ITU-T Rec. G.992.2	<i>Splitterless Asymmetric Digital Subscriber Line (ADSL) Transceivers</i>
ITU-T Rec. G.992.3	<i>Asymmetric Digital Subscriber Line Transceivers 2 (ADSL2)</i>
ITU-T Rec. G.992.4	<i>Splitterless Digital Subscriber Line Transceivers 2 (Splitterless ADSL2)</i>
ITU-T Rec. G.992.5	<i>Asymmetric Digital Subscriber Line (ADSL) Transceivers – Extended Bandwidth (ADSL2+)</i>
MS IEC 60950-1	<i>Information Technology Equipment – Safety</i>
MS CISPR 22	<i>Information Technology Equipment – Radio disturbance characteristics – Limits and methods of measurement</i>
DSL FORUM TR-067	<i>ADSL Interoperability Test Plan</i>
MS IEC 60038	<i>IEC Standard Voltages</i>
MS 406	<i>Specification for voltages and frequency for alternating current transmission and distribution system</i>
MS 140	<i>Specification for insulated flexible cords and cables</i>
BS 6500	<i>Flexible cords rated up to 300, 500 V for use with appliances and equipments intended for domestic offices and similar environments</i>
IEC 60227-5	<i>Polyvinyl chloride insulated cables of rated voltages upto and including 450/750 V – Part 5: Flexible cables (cords)</i>
IEC 60245-4	<i>Rubber insulated cables – Rated voltages upto and including 450/750 V – Part 4: Cords and flexible cables</i>
MS 589:Part 1	<i>Specification for 13A plugs, socket – outlets, adaptors and connection units : Part 1: Specification for rewirable and non-rewirable 13A plugs</i>
BS 1363:Part 1	<i>13A plugs, socket – outlets, adaptors and connection units</i>
MS 1578	<i>Specification for flat non-rewirable two-pole plus, 2.5 A, 250 V, with cord, for the connection of class II – Equipment for household and similar purposes</i>
BS EN 50075	<i>Flat non variable two pole plugs 2, 5 A, 250 V with cord for the connection of class II- Equipment for household and similar prupose</i>

3. Abbreviations

ADSL	Asymmetrical Digital Subscriber Line
DSL	Digital Subscriber Line
DSLAM	Digital Subscriber Line Access Multiplexer
ATU	ADSL Transceiver Unit
ATU-R	ATU at Remote End
ATU-C	ATU at Central Office
POTS	Plain Old Telephone Service
ISDN	Integrated Services Digital Network
TCM	Time-Compression Multiplexing
ANSI	American National Standards Institute
ITU	International Telecommunication Union
PDN	Premises Distribution Network
IEEE	Institute of Electrical Electronics Engineers
DMT	Discrete Multi-Tone
IDFT	Inverse Discrete Fourier Transform
STM	Synchronous Transfer Mode
ATM	Asynchronous Transfer Mode
EOC	Embedded Operation Channel
PSTN	Public Switched Telephone Network
CPE	Customer Premises Equipment
ISP	Internet Standard Protocol

4. General Application Reference Models

4.1 Standardising requirements for ADSL Transceivers is carried out at the U interface points of the application reference models shown in Figures 1 to 4.

SKMM LTS ADSL
Rev. 1.01:2007

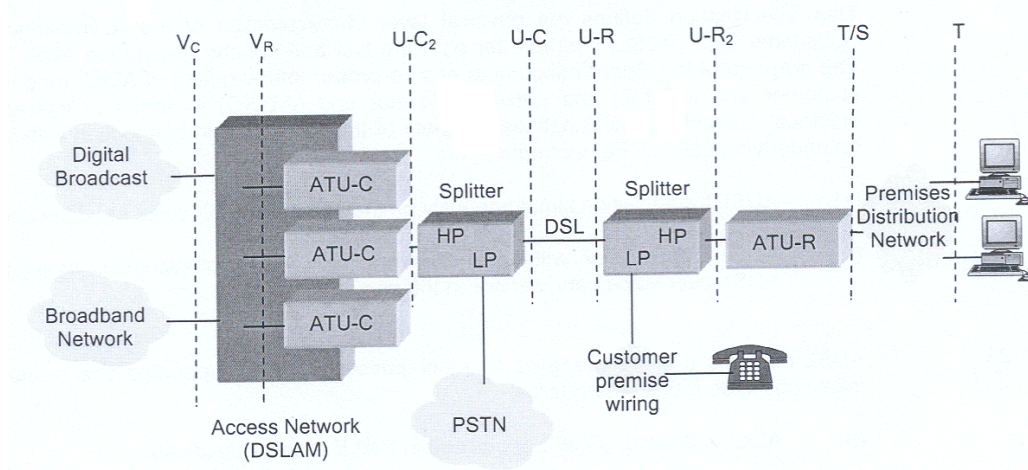


Figure 1. Generic application reference model for remote deployment with splitter

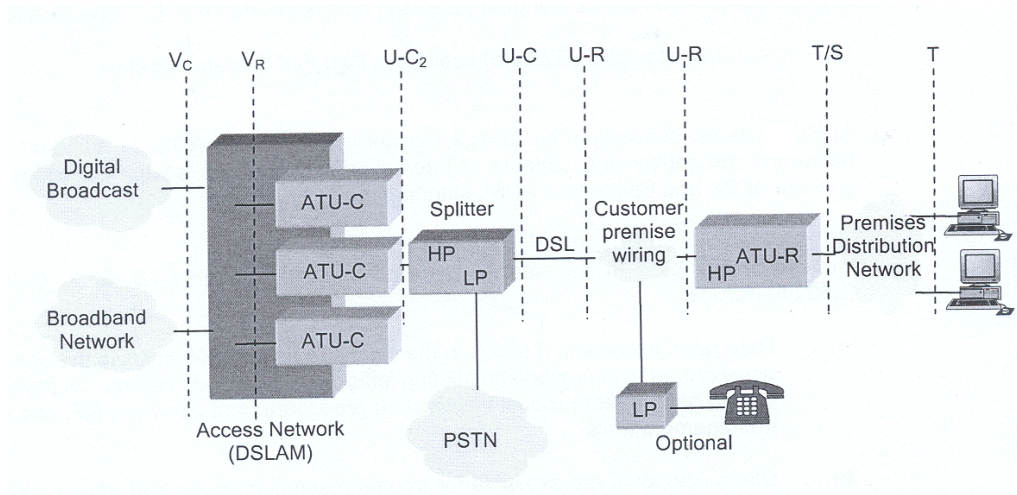


Figure 2. Generic application reference model for splitterless remote deployment

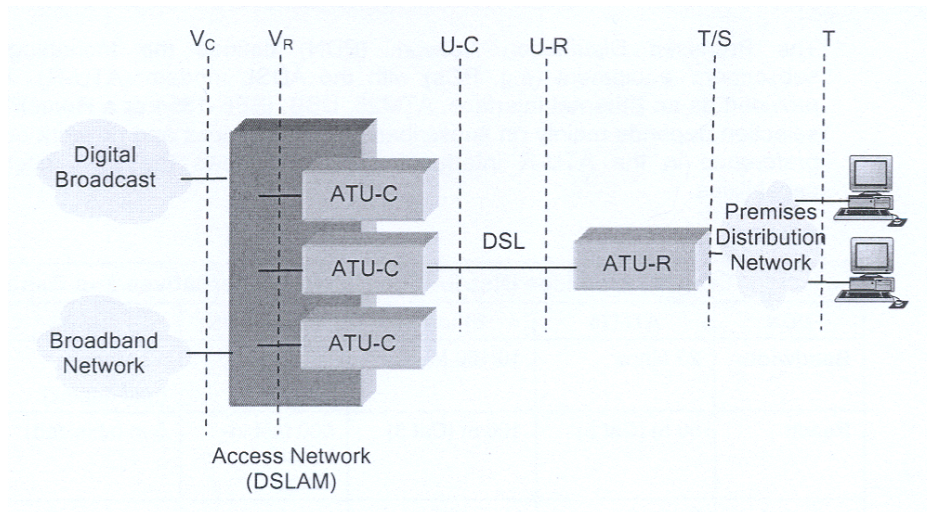


Figure 3. Data service application model

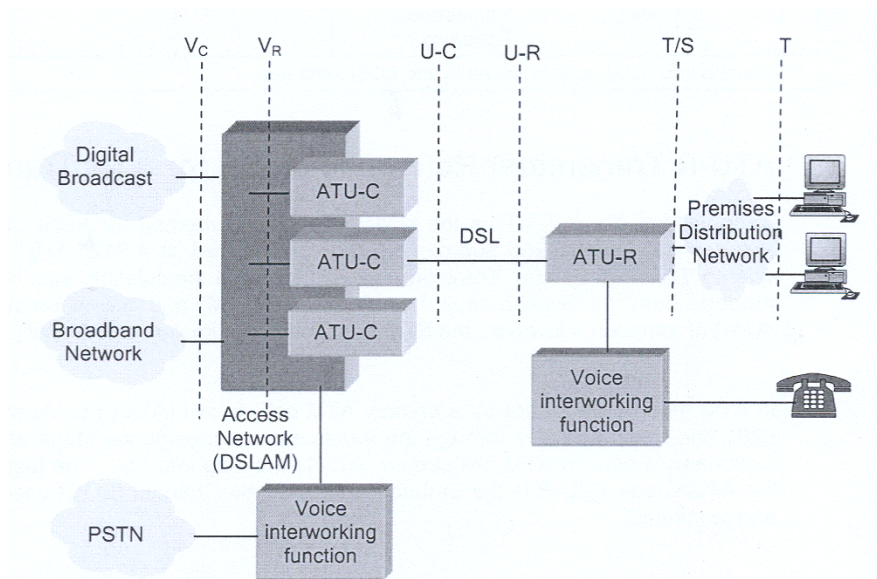


Figure 4. Voice over data service application model

Notes:

1. U-C and U-R interfaces are fully defined in this Technical Specification.
2. V-C interface may consist of interfaces to one or more ATM switching systems.
3. High-pass (HP) filters, which are part of the splitters, may be integrated into the ATU-x; if so, U-C2 and U-R2 will become the same as U-C and U-R interfaces, respectively.
4. Due to asymmetry of signals on the line, transmitted signals shall be distinctively specified at the U-R and U-C reference points.
5. T/S may interface to in-building Ethernet, ATM25, USB, IEEE-1394 or home phone-line network (HomePNA).

SKMM LTS ADSL
Rev. 1.01:2007

4.2 The Premises Distribution Network (PDN) defines the technology for connecting subscribers' equipment (e.g. PCs) with the ADSL transceivers (ATU-R). This PDN may be provided as an Ethernet interface, ATM25, USB, IEEE-1394 or a HomePNA backbone. The selection depends mainly on subscribers' mix of services and network or service providers' preference in the ATU-R interfaces. Table 1 shows the PDN alternatives and their capabilities.

Table 1. Premises Distribution Network Alternatives and Capabilities

PDN	ATM25	Ethernet	HomePNA	USB	IEEE-1394
Bandwidth	25 Mbps	10/100 Mbps	10 Mbps+	12 Mbps (half-duplex)	400 Mbps (half-duplex)
Reach	50 m (Cat 5)	100 m (Cat 3)	500 feet in-house phone wiring	5m (shielded)	4.6 m (shielded)
Installation	PC NIC	Most PCs require NIC	PC NIC	Included with PCs	Included with PCs
Protocol	Native ATM, PPP, RFC 1483	PPP via BMAP, PPPoE, tunnelling bridging	PPPoE, bridging	PPP via BMAP	PPP via BMAP
* Throughput to ADSL loop is limited by the ADSL data rate					

5. Requirements

5.1 General requirements

5.1.1 Power supply requirements

The equipment may be a.c. powered or d.c. powered. For an a.c. powered equipment, the specification shall be complied with when operating from an a.c. mains supply of voltage,

$240\text{ V } \begin{matrix} \pm 5\% \\ -10\% \end{matrix}$ and frequency, $50\text{ Hz } \pm 1\%$ as according to MS 406 or $230\text{ V } \pm 10\%$ and frequency $50\text{ Hz } \pm 1\%$ as according to MS IEC 60038 whichever is current.

Where external power supply is used, e.g AC adaptor, it shall not effect the capacity of the equipment to meet this specification. Adaptor must be pre-approved by the relevant regulatory body before it can be used with the equipment.

5.1.2 Power supply cord and mains plug requirements

The equipment shall be fitted with a suitable and appropriate approved power supply cord and mains plug. Both are regulated products and must be pre-approved by the relevant regulatory body before it can be used with the equipment.

The power supply cord shall be certified according to:

- a) MS 140; or
- b) BS 6500; or

- c) IEC 60227-5; or
- d) IEC 60245-4.

The main plug shall be certified according to:

- a) 13 A fused plugs: MS 589: Part 1 or BS 1363: Part 1; or
- b) 2.5 A, 250 V, flat non-rewirable two-pole plugs: MS 1578 or BS EN 50075.

5.1.3 Marking requirements

The requirements shall be marked with the following information:

- a) supplier/manufacturer's name or identification mark;
- b) supplier/manufacturer's model or type reference; and
- c) other markings as required by the relevant standards.

The marking shall be legible, indelible and readily visible. All information on the marking shall be either in Bahasa Melayu or English Language.

5.2 Technical requirements

ADSL Transceivers shall comply with the followings standards as per Table 2:

Table 2. Compliance Standard for ADSL Transceivers

No.	Standards	Type of ADSL Transceivers
1	ITU-T Rec. G.992.1	ADSL Transceivers
2	ITU-T Rec. G.992.2	Splitterless ADSL Transceivers
3	ITU-T Rec. G.992.3	ADSL2 Transceivers
4	ITU-T Rec. G.992.4	Splitterless ADSL2 Transceivers
5	ITU-T Rec. G.992.5	ADSL2+ Transceivers – Extended Bandwidth

5.3 Interoperability

ADSL Transceiver and DSLAM are dynamically interoperable if they implement a common and compatible set of features, functions and options and can demonstrate satisfactory mutual communication in a real network architecture environment as performance test conditions are varied and exercised. System Under Test (SUT) is required to be tested according to the tests stated in Section F. The general reference model for interoperability is shown in Figure 5.

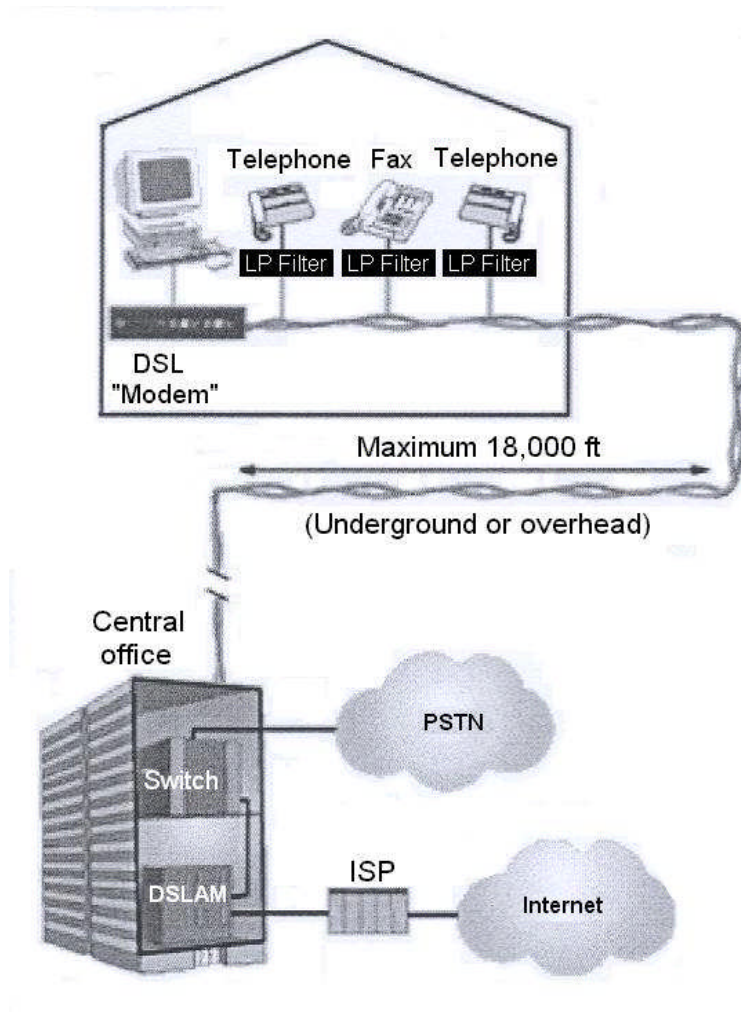


Figure 5. General reference model for interoperability

5.4 Safety and health requirements

The equipment shall comply with the safety requirements defined in MS IEC 60950-1. The supplier shall submit full type test report to MS IEC 60950-1 or equivalent standards.

5.5 Electromagnetic compatibility (EMC) requirements

The equipment shall comply with the EMC emissions requirements as defined in the MS CISPR 22 or equivalent standards. The requirements shall cover radiated and conducted emission.

Section A

Asymmetric Digital Subscriber Line (ADSL) Transceivers
(ITU-T Recommendation G.992.1)

Table 3. ADSL Transceivers

TITLE	ITU-T Rec. G.992.1	CR	Remarks
Scope	1	GID	-
System reference modal	1.1	GID	-
Objectives	1.2	GID	-
References	2	GID	-
Definitions	3	GID	-
Abbreviations	4	GID	-
Reference models	5	GID	-
ATU-C transmitter reference models	5.1	GID	-
ATU-C transmitter reference models	5.2	M	ATM mode of transportation shall be supported.
Transport capacity	6	GID	-
Transport of STM data	6.1	NA	-
Transport of ATM data	6.2	M	-
ADSL system overheads and total bit rates	6.3	M	Full overhead framing mode shall be supported. Reduced overhead framing mode in optional.
ATU-C Functional Characteristics	7	GID	-
STM transmission protocol specific functionalities	7.1	GID	-
ATM transport protocol specific functionalities	7.2	GID	The provision of ATM transport mode is network dependent.
Network timing reference	7.3		-
Framing	7.4	GID	
Scramblers	7.5	GID	-
Forward error correction	7.6	GID	-
Tone ordering	7.7	GID	-

SKMM LTS ADSL
Rev. 1.01:2007

(continued)

TITLE	ITU-T Rec. G.992.1	CR	Remarks
Constellation encoder (Trellis code version)	7.8	GID	-
Constellation encoder (No trellis coding)	7.9	GID	-
Gain scaling	7.10	GID	-
Modulation	7.11	GID	-
Cyclic prefix	7.12	GID	-
Transmitter dynamic range	7.13	GID	-
ATU-C downstream transmitter spectral masks	7.14	GID	-
Dual bit mapping and rate conversion (Annex C only)	7.15	GID	-
FEXT bit mapping (Annex C only)	7.16	GID	-
ATU-R Functional Characteristics	8	M	Framing modes for ATM transport shall be supported
STM transmission protocol specific functionalities	8.1	NA	-
ATM transport protocol specific functionalities	8.2	M	-
Network timing reference	8.3	O	-
Framing	8.4	M	-
Scramblers	8.5	M	-
Forward error correction	8.6	M	-
Tone ordering	8.7	M	-
Constellation encoder - Trellis version	8.8	M	-
Constellation encoder - Uncoded version	8.9	M	-
Gain scaling	8.10	M	-
Modulation	8.11	M	-
Cyclic prefix	8.12	M	-
Transmitter dynamic range	8.13	M	-
ATU-R upstream transmitter spectral response	8.14	M	-
Dual bit mapping and rate conversion (Annex C only)	8.15	NA	-
FEXT bit mapping (Annex C only)	8.16	NA	-
EOC operations and maintenance	9	NA	-
Clear EOC	9.1	O	-
Embedded operations channel (EOC) requirements	9.2	M	Shall comply with requirements for communication between the ATU-C and ATU-R for in-service and out-of-service maintenance.
In-service performance monitoring and surveillance	9.3	M	-

(continued)

TITLE	ITU-T Rec. G.992.1	CR	Remarks
Initialization	10	M	-
Overview	10.1	M	-
Handshake - ATU-C	10.2	GID	-
Handshake - ATU-R	10.3	O	-
Transceiver training - ATU-C	10.4	M	-
Transceiver training - ATU-R	10.5	M	-
Channel analysis (ATU-C)	10.6	M	-
Channel analysis (ATU-R)	10.7	M	-
Exchange - ATU-C	10.8	M	-
Exchange - ATU-R	10.9	M	-
AOC on-line adaptation and reconfiguration	11	M	-
The ADSL overhead control (AOC) channel	11.1	M	-
Specific requirements for an ADSL system operating in the frequency band above POTS	Annex A	M	-
Specific requirements for an ADSL system operating in the frequency band above ISDN as defined in ITU-T Rec. G.961 Appendices I and II	Annex B	NA	-
Specific requirements for an ADSL system operating in the same cable as ISDN as defined in ITU-T Rec. G.961 Appendix III	Annex C	NA	-
ATU-C and ATU-R state diagrams	Annex D	GID	-

SKMM LTS ADSL
Rev. 1.01:2007

(continued)

TITLE	ITU-T Rec. G.992.1	CR	Remarks
POTS and ISDN-BA Splitters	Annex E	GID	-
Type 1 - European	E.1	GID	If applicable, POTS splitter shall comply with the requirements specified in SKMM LTS PSTN
Impedance Matching	E.1.1	GID	-
Return loss	E.1.2	GID	-
Insertion loss	E.1.3	GID	-
Insertion loss distortion	E.1.4	GID	-
Isolation	E.1.5	GID	-
Signal power	E.1.6	GID	-
Ringing	E.1.7	GID	-
Unbalance about earth	E.1.8	GID	-
Frequencies and levels for pulse metering	E.1.9	NA	-
Type 2 – North America	E.2	NA	-
Type 3 – ADSL above ISDN (ITU-T G.961 Appendix I or II)	E.3	NA	-
Type 4 – Type for Japan	E.4	NA	-
ATU-x Classification and Performance for Region A (Other than Europe)	Annex F	GID	-
ATU-x Classification and Performance for Region B (Europe)	Annex G	GID	-
ATM Layer to Physical Layer Logical Interface	Appendix I	GID	-
Dynamic (on-line) Rate Adaptation	Appendix II	GID	-
Compatibility with other customer premise equipment	Appendix III	GID	-
Bibliography	Appendix IV	GID	-

Section B

Splitterless Asymmetric Digital Subscriber Line (ADSL) Transceivers
(ITU-T Recommendation G.992.2)

Table 4. Splitterless ADSL Transceivers

TITLE	ITU-T Rec. G.992.2	CR	Remarks
Scope	1	GID	-
References	2	GID	-
Definitions and abbreviations	3	GID	-
Reference models	4	GID	Support of ATM is required. ADSL transceivers (ATU-R) shall support bearer channel AS0 downstream and LS0 upstream.
Transport capacity	5	M	-
ATU interfaces	6	-	-
ATU interface for ATM transport	6.1	M	-
ATU PMD to TC Logical Interface	6.2	GID	-
ATU Functional Characteristics	7	-	-
ATM Transport Protocol Specific Functionalities	7.1	M	-
Network Timing Reference	7.2	O	-
Framing	7.3	M	-
Scrambler	7.4	M	-
Reed Solomon Forward Error Correction	7.5	M	-
Interleaver	7.6	M	-
Tone ordering	7.7	M	-
Constellation encoder	7.8	M	-
Gain scaling	7.9	M	-
Modulation	7.10	M	-
Cyclic prefix	7.11	M	-
Transmitter dynamic range	7.12	M	-
Embedded operations channel (EOC)	8	-	-
EOC introduction	8.1	M	-
EOC message encoding	8.2	M	-
EOC message description	8.3	M	-
EOC Protocol	8.4	M	-
Clear EOC	8.5	O	-

SKMM LTS ADSL
Rev. 1.01:2007

(continued)

TITLE	ITU-T Rec. G.992.2	CR	Remarks
ADSL overhead channel (AOC)	9	-	-
The ADSL overhead control (AOC) channel introduction	9.1	O	-
AOC message encoding	9.2	M	-
Bit swap operation	9.3	O	-
AOC protocol	9.4	M	-
In-service performance monitoring and surveillance	10	GID	-
ADSL line related primitives	10.1	M	-
ATM data path related primitives	10.2	M	-
Other ADSL indicators, parameters and signals	10.3	M	-
Test parameters	10.4	M	-
Other failures and parameters	10.5	M	-
Initialization	11	-	-
Overview	11.1	M	-
Handshake – ATU-C	11.2	GID	-
Handshake – ATU-R	11.3	M	-
Handshake power levels	11.4	M	-
Escape from Handshake to Fast Retrain	11.5	O	-
Power Levels in Transceiver Training, Channel Analysis and Exchange	11.6	M	-
Transceiver training – ATU-C	11.7	M	-
Transceiver training – ATU-R	11.8	M	-
Channel analysis (ATU-C)	11.9	M	-
Channel analysis (ATU-R)	11.10	M	-
Exchange – ATU-C	11.11	M	-
Exchange – ATU-R	11.12	M	-
Fast retrain Non-overlapped	12	O	-
Power management	13	O	-
Spectrum Operation	Annex A	M	-
Overlapped Spectrum Operation	Annex B	M	-
ADSL above POTS co-existing in the same binder as TCM-ISDN DSL	Annex C	GID	-
System Performance for North America	Annex D	GID	-
System Performance for Europe	Annex E	GID	-
-	Appendix I	GID	-

(continued)

TITLE	ITU-T Rec. G.992.2	CR	Remarks
Guide to scenarios for the implementation of the various procedures in Recommendations G.994.1 and G.992.2	Appendix II	GID	-
Compatibility with other Customer Premises Equipment	Appendix III	O	-

Section C

Asymmetric Digital Subscriber Line Transceivers 2 (ADSL2)
 (ITU-T Recommendation G.992.3,)

Table 5. ADSL Transceivers 2

TITLE	ITU-T Rec. G.992.3	CR	Remarks
Scope	1	GID	-
References	2	GID	-
Definitions	3	GID	-
Abbreviations	4	GID	-
Reference models	5	GID	Application models may include: 1. Generic application reference model for remote deployment with splitter 2. Generic application reference model for splitterless remote deployment 3. Data service application model 4. Data with POTS service application model 5. Data with ISDN service application model 6. Voice over data service application model
Transport Protocol Specific Transmission Convergence (TPS-TC) function	6	-	-
Transport capabilities	6.1	M	-
Interface signals and primitives	6.2	M	-
Control parameters	6.3	M	-
Data plane procedures	6.4	M	-
Management plane procedures	6.5	O	-
Initialization procedure	6.6	M	-
On-line reconfiguration.	6.7	M	-
Power management mode	6.8	M	-

(continued)

TITLE	ITU-T Rec. G.992.3	CR	Remarks
Physical Media Specific Transmission Convergence (PMS-TC) function	7	-	-
Transport capabilities	7.1	M	-
Additional functions	7.2	M	-
Block interface signals and primitives	7.3	M	-
Block diagram and internal reference point signals	7.4	M	-
Control parameters	7.5	M	-
Frame structure	7.6	M	-
Data plane procedures	7.7	M	-
Control plane procedures	7.8	M	-
Management plane procedures	7.9	M	-
Initialization procedures	7.10	M	-
On-line reconfiguration	7.11	M	-
Power management mode	7.12	M	-
Physical media dependent function	8	-	-
Transport capabilities	8.1	M	-
Additional functions	8.2	M	-
Block interface signals and primitives	8.3	M	-
Control parameters	8.5	M	-
Constellation encoder for data symbols	8.6	M	-
Constellation encoder for synchronization and L2 exit symbols	8.7	M	-
Modulation	8.8	M	-
Transmitter dynamic range	8.9	M	-
Transmitter spectral masks	8.10	M	-
Control plane procedures	8.11	M	-
Management plane procedures	8.12	M	-
Initialization procedures	8.13	M	-
Short initialization procedures	8.14	O	-
Loop diagnostics mode procedures	8.15	M	-
On-line reconfiguration of the PMD function	8.16	M	-
Power management in the PMD function	8.17	M	-

SKMM LTS ADSL
Rev. 1.01:2007

(continued)

TITLE	ITU-T Rec. G.992.3	CR	Remarks
Management Protocol Specific Transmission Convergence (MPS-TC) functions	9	GID	-
Transport functions	9.1	M	-
Additional functions	9.2	M	-
Block interface signals and primitives	9.3	M	-
Management plane procedures	9.4	M	-
Power management	9.5	M	-
Dynamic behavior	10	M	-
Initialization	10.1	M	-
On-line Reconfiguration (OLR)	10.2	M	-
Power management	10.3	M	-
Specific requirements for an ADSL system operating in the frequency band above POTS	Annex A	M	-
Specific requirements for an ADSL system operating in the frequency band above ISDN as defined in ITU-T Rec. G.961 Appendices I and II	Annex B	NA	-
Specific requirements for an ADSL system operating in the same cable as ISDN as defined in ITU-T Rec. G.961 Appendix III	Annex C	NA	-
ATU-C and ATU-R state diagrams	Annex D	GID	-
POTS and ISDN Basic Access Splitters	Annex E	GID	-
Type 1 – POTS splitter – Europe	E.1	O	-
Type 2 – POTS splitter – North America	E.2	O	-
Type 3 – ISDN (ITU-T Rec. G.961 Appendix I or II) Splitter – Europe	E.3	NA	-
Type 4 – POTS splitter – Japan ATU-x performance requirements for region A (North America)	E.4	O	-
ATU-x performance requirements for region B (Europe)	Annex G	O	-

(continued)

TITLE	ITU-T Rec. G.992.3	CR	Remarks
Specific requirements for a synchronized symmetrical DSL (SSDSL) system operating in the same cable binder as ISDN as defined in ITU-T Rec. G.961 Appendix III	Annex H	NA	-
All digital mode ADSL with Improved spectral compatibility with ADSL over POTS	Annex I	O	-
All Digital Mode ADSL with improved spectral compatibility with ADSL over ISDN	Annex J	NA	-
TPS-TC functional descriptions	Annex K	GID	-
STM Transmission Convergence (STM-TC) function	K.1	NA	-
ATM Transmission Convergence (ATM-TC) function	K.2	M	-
Packet transmission convergence function (PTM-TC)	K.3	O	-
ATM layer to physical layer logical interface	Appendix I	GID	-
Compatibility with other customer premises equipment	Appendix II	GID	-
The impact of primary protection devices on line balance	Appendix III	GID	-
Bibliography	Appendix IV	GID	-

Section D

Splitterless Asymmetric Digital Subscriber Line Transceivers 2
(Splitterless ADSL2)

(ITU-T Recommendation G.992.4)

Table 6. Splitterless ADSL Transceivers 2

TITLE	ITU-T Rec. G.992.4	CR	Remarks
Scope	1	GID	-
References	2	GID	-
Definitions	3	GID	-
Abbreviations	4	GID	-
Reference models	5	GID	Application models may include: 1. Generic application reference model for splitterless remote deployment 2. Data service application model 3. Data with POTS service application model 4. Voice over data service application model
Transport Protocol Specific Transmission Convergence (TPS-TC) function	6	M	-
Physical Media Specific Transmission Convergence (PMS-TC) function	7	M	-
Physical media dependent Function	8	M	-
Management Protocol Specific Transmission Convergence (MPS-TC) functions	9	M	-
Control Protocol Specific Transmission Convergence (CPS-TC) functions	10	-	Further study by ITU-T
Dynamic behavior	11	M	-
Specific requirements for an ADSL system operating in the frequency band above POTS	Annex A	M	-
Specific requirements for an ADSL system operating in the same cable as ISDN as defined in ITU-T Rec. G.961 Appendix III	Annex C	NA	-
ATU-C and ATU-R state diagrams	Annex D	GID	-

(continued)

TITLE	ITU-T Rec. G.992.4	CR	Remarks
POTS and ISDN-BA splitters	Annex E	GID	-
ATU-x performance requirements for region A (North America)	Annex F	-	Further study by ITU-T
-	Annex G	-	Intentionally left blank
-	Annex H	-	Intentionally left blank
All digital mode ADSL with improved spectral compatibility with ADSL over POTS	Annex I	O	-
-	Annex J	-	Intentionally left blank
TPS-TC functional descriptions	Annex K	M	-

Section E

**Asymmetric Digital Subscriber Line (ADSL) Transceivers –
Extended Bandwidth (ADSL2+)**
(ITU-T Recommendation G.992.5)

Table 7. ADSL Transceivers – Extended Bandwidth

TITLE	ITU-T Rec. G.992.5	CR	Remarks
Scope	1	GID	-
References	2	GID	-
Definitions	3	GID	-
Abbreviations	4	GID	-
Reference models	5	GID	Application models may include: 1. Generic application reference model for remote deployment with splitter 2. Generic application reference model for splitterless remote deployment 3. Data service application model 4. Data with POTS service application model 5. Data with ISDN service application model 6. Voice over data service application model
Transport Protocol Specific Transmission Convergence (TPS-TC) function	6	M	-
Physical Media Specific Transmission Convergence (PMS-TC) function	7	M	-
Physical media dependent function	8	-	-
Transport capabilities	8.1	M	-
Additional functions	8.2	M	-
Block interface signals and primitives	8.3	M	-
Block diagram and internal reference point signals	8.4	M	-
Control parameters	8.5	M	-
Constellation encoder for data symbols	8.6	M	-
Constellation encoder for synchronization and L2 exit symbols	8.7	M	-
Modulation	8.8	M	-
Transmitter dynamic range	8.9.3	M	-
Transmitter spectral masks	8.10	M	-
Control plane procedures	8.11	M	-

(continued)

TITLE	ITU-T Rec. G.992.5	CR	Remarks
Management plane procedures	8.12	M	-
Initialization procedures	8.13	M	-
Short initialization procedures	8.14	O	-
Loop diagnostics mode procedures	8.15	M	-
On-line reconfiguration of the PMD function	8.16	M	-
Power management in the PMD function	8.17	M	-
Management Protocol Specific Transmission Convergence (MPS-TC) functions	9	GID	-
Transport functions Block interface signals and primitives 9.3 M Refer to § 9.3/G.992.3	9.1	M	-
Additional functions	9.2	M	-
Management plane procedures	9.4	M	-
Power management	9.5	M	-
Dynamic behaviour	10	M	-
Specific requirements for an ADSL system operating in the frequency band above POTS	Annex A	M	-
Specific requirements for an ADSL system operating in the frequency band above ISDN as defined in ITU-T Rec. G.961 Appendices I and II	Annex B	NA	-
Specific requirements for an ADSL system operating in the same cable as ISDN as defined in ITU-T Rec. G.961 Appendix III	Annex C	NA	-
ATU-C and ATU-R state diagrams	Annex D	GID	-
POTS and ISDN-BA splitters	Annex E	GID	-
ATU-x performance requirements for region A (North America)	Annex F	-	Further study by ITU-T
ATU-x performance requirements for region B (Europe)	Annex G	-	Further study by ITU-T
Specific requirements for a synchronized symmetrical DSL (SSDSL) system operating in the same cable binder as ISDN as Defined in ITU-T Rec. G.961 Appendix III	Annex H	-	Further study by ITU-T

SKMM LTS ADSL
Rev. 1.01:2007

(continued)

TITLE	ITU-T Rec. G.992.5	CR	Remarks
All digital mode ADSL with Improved spectral compatibility With ADSL over POTS	Annex I	O	-
All Digital Mode ADSL with improved spectral compatibility with ADSL over ISDN	Annex J	NA	-
TPS-TC functional descriptions	Annex K	M	-
-	Annex L	-	-
Specific requirements for an ADSL system with extended upstream bandwidth, operating in the frequency band above POTS 1.	Annex M	O	-
ATM layer to physical layer logical interface	Appendix I	GID	-
Compatibility with other customer premises equipment	Appendix II	GID	-
The impact of primary protection devices on line balance	Appendix III	GID	-
PSD template to be used in capacity calculations with in-band transmit spectrum shaping	Appendix IV	GID	-
Bibliography	Appendix V	GID	-

Section F

ADSL Interoperability Test Plan
(DSL Forum Technical Report TR-067)

Table 8. ADSL Interoperability Test Plan

Title	TR-067	CR	Remarks
Equipment features			
DSLAM	6.1	M	Refer to Table 6.1.1:DSLAM Features (Informative)
CPE	6.2	M	Refer to Table 6.2.1:CPE Features Tables (Informative)
Expected results	6.3	M	The results columns of Table 6.1.1 and 6.2.1 shall be completed to indicate whether each feature is included with the DSLAM or CPE transceivers.
Test configurations			
The test configuration is base on type of Transceivers. Refer to Appropriate figures in Clause 7.0.			
Physical layer test cases			
ADSL functionality tests	8.1	M	9 individual tests – 9 must be passed
Sudden applications of RFI	8.2	M	A test that more closely replicates the very rapid increases in amplitude of RFI that occur on real circuits.
DSL noise spikes/surges tests	8.3	M	10 individual tests – 10 must be passed (recovery or retrain after noise condition)
Stress test	8.4	M	1 individual test – 1 must be passed
Electrical compatibility tests	8.5	M	4 individual tests – 4 must be passed

SKMM LTS ADSL
Rev. 1.01:2007

(continued)

Title	TR-067	CR	Remarks
Higher layer test cases			
ATM connectivity tests	9.1	M	9 individual tests – 8 must be passed (all except Test 9.1.5)
Layer 3 Ethernet or USB interface RFC 2684 [10] bridged mode	9.2	M	42 individual tests – 42 must be passed
RFC 2516 [11] PPPoE end-to-end connectivity test	9.3	M	1 individual tests – 1 must be passed
RFC 2364 [12] PPPoA end-to-end connectivity test	9.4	M	1 individual tests – 1 must be passed
RFC 2684 [10] end-to-end connectivity test	9.5	M	1 individual tests – 1 must be passed
Usability test	9.6	M	1 individual tests – 1 must be passed
Physical layer test cases for system using G.992.1 (ADSL Interoperability Test Plan, TR-067)			
North American Test set	Annex A.1	M	Applicable for ADSL over POTS
European Test set	Annex A.2	M	Applicable for ADSL over POTS
Specific Test Set-up Information	Annex B.1	GID	Applicable for ADSL over ISDN
European Test set	Annex B.2	O	Applicable for ADSL over ISDN
Physical layer test cases for system using G.992.1	Annex C	GID	Applicable for ADSL co-exist with TCM-ISDN

NOTES:

1. System Under Test (SUT) shall comply either Annex A.1 or Annex A.2.
2. The following notations are used in the Specification:
 - CR Conformance requirement defines features and functions that must be supported at minimum.
 - M Mandatory requirements
 - O Optional requirements, which become mandatory when features and functions are supported.
 - NA Not Applicable
 - GID General Information and Definitions